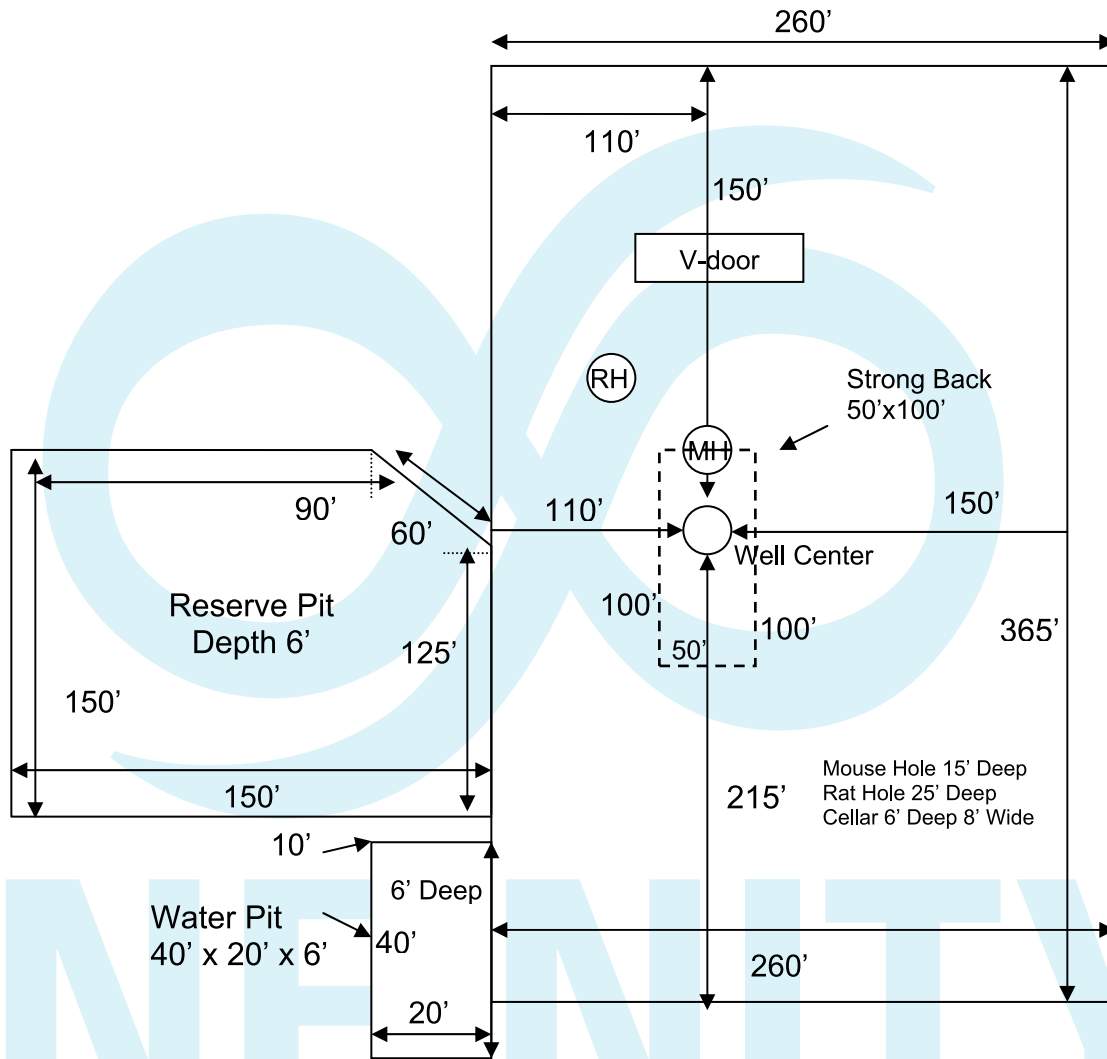




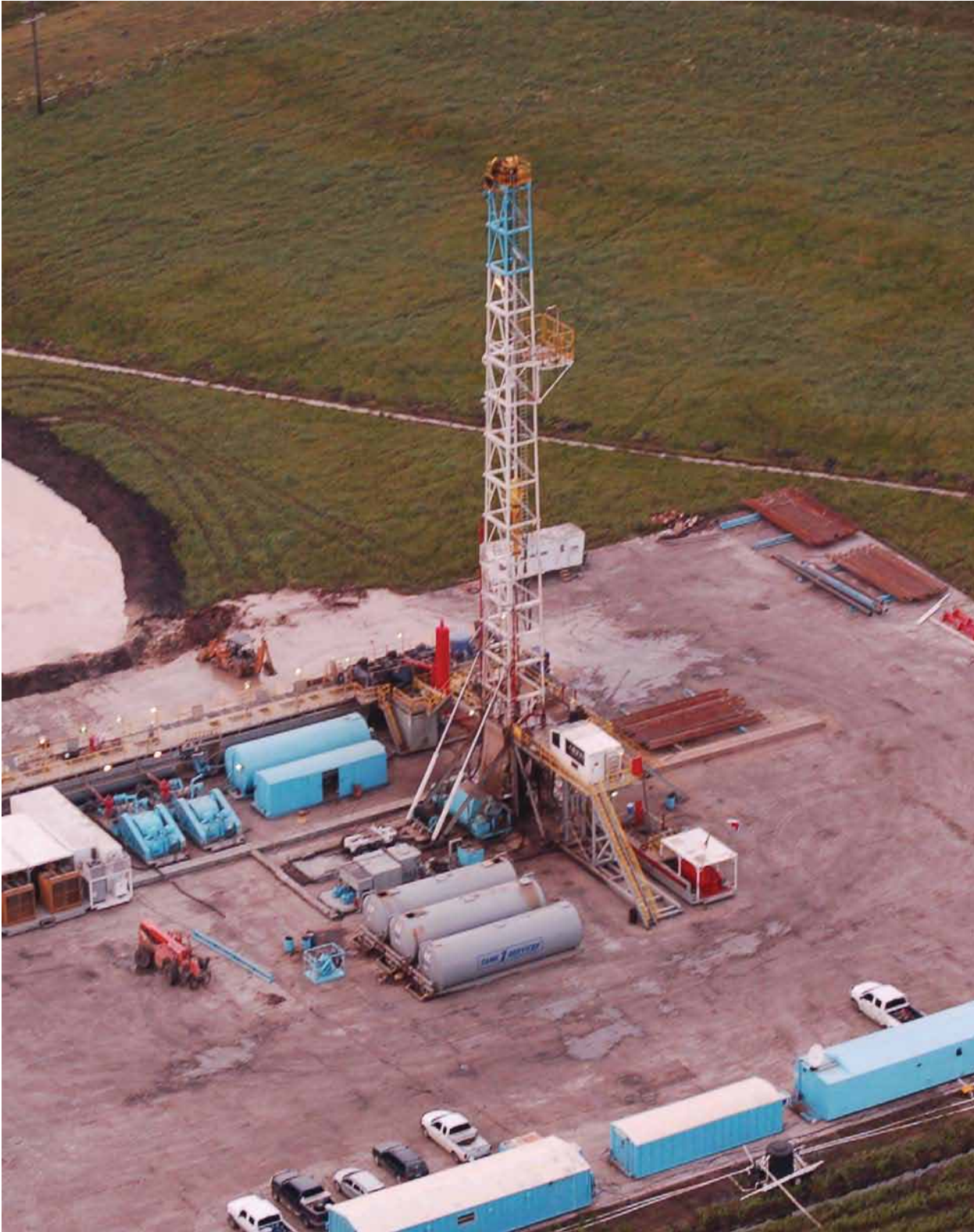
DRAWWORKS:	Ideco Drawworks 1200HP Powered by two 900HP DC Traction Motors
ENGINES:	Three (3) Caterpillar 3512DITA diesel engines each rated at 1321HP
GENERATOR SETS:	Engines Unitized with WEG 1050KW Generators
MAST:	IRI 127' telescoping mast with 550,000# hook load. Accommodates 275 ton Top Drive
SUB STRUCTURE:	IRI 22' hydraulically telescoping substructure rated at 550,000# rotary load with 300,000# simultaneous setback. Integrated drainage system for maximum fluid containment.
ROTARY:	Ideco 27-1/2" Rotary independently driven by one 800HP DC traction motor.
BOP:	One (1) 11" 10M Shaffer Type Double Ram BOP One (1) 11" 10M Shaffer Type Single Ram BOP One (1) 11" 5M Shaffer Type annular One (1) Koomey 6 station accumulator, API 16E. A 10M flexible choke line and 4' X 4" 10M choke manifold.
MUD PUMPS:	Two (2) F-1600 triplex mud pumps each pump is equipped DC traction motors rated at 1600HP
MUD SYSTEM	848 Barrels Total Active Capacity. Two Covered 424 Barrel Tanks with round bottoms and electric agitators for optimum mixing/blending and ease of clean out. Each tank contains two 5 X 6 X 75HP centrifugal pumps. Hopper is remote for ease of use with bulk tanks. Three Brandt King Cobra Shakers, Brandt DG-10 degasser and Brandt 16 Cone desilter are all unitized on a hydraulically raised mud processing skid. A separate skid incorporates one 106 barrel trip tank with 2X3X25HP centrifugal pump.
TOP DRIVE:	Canrig 275 Ton AC (with "Rokit" Capability)
OVERHEAD STRING:	One (1) 300 ton, five sheave block, with a 10 line string up
DRILLER CONTROLS:	Varco Electronic Driller and Block Control System enable near steady state WOB while drilling. Block speed controls minimize swab and surge pressures and increase tripping efficiency. Drawworks speed is joystick controlled with touch screen and manual control of EDrill and SCR
DRILL PIPE:	10,500' of 5" drill pipe of sufficient grade and weight to provide 100# margin over pull.
DRILL COLLARS:	3-7-3/4" 21-6 1/2" drill collars.
AUXILIARY EQUIPMENT:	Automatic Catwalk Mathey wireline unit with 25,000' of .092 wireline Motorized drill line spool Toolpusher and crew quarters Meeting and Change House Combo with A/C Hydraulic Pipe and Kelly Spinner Hot Water Power Washer 0-7 degree drift indicator Varco Electronic Drilling Recorder



LOCATION PLAT WITH STRONG-BACK



MERCURYTM
CLASS by ORION



For more information - oriondrilling.com

ORION[®]
DRILLING COMPANY